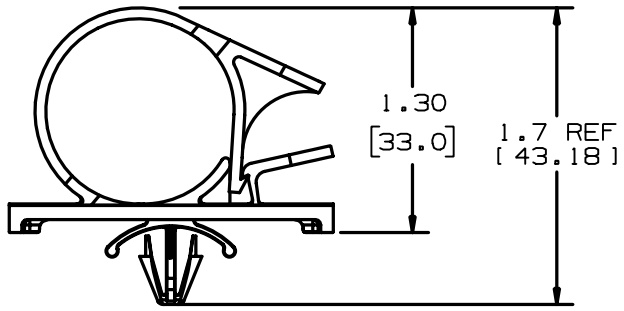
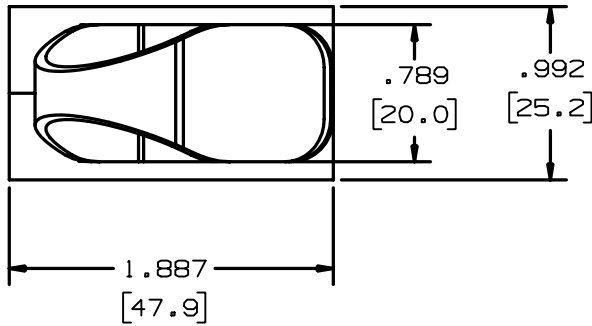
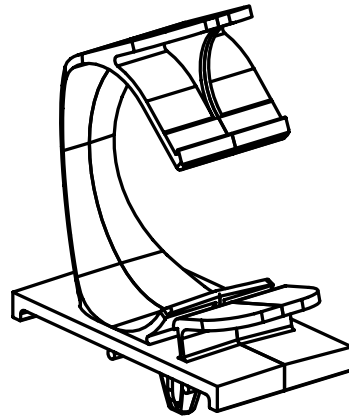


THIS COPY IS PROVIDED ON A RESTRICTED BASIS AND IS NOT TO BE USED IN ANY WAY DETRIMENTAL TO THE INTERESTS OF PANDUIT CORP.



PANDUIT PART NUMBER*	MAXIMUM CABLE DIA. in. (mm)	WEIGHT lbs. (g)/100pcs	HOLE SIZE DIA. RANGE	PANEL THK. RANGE
LWC100-H25	1.0 (25.4)	1.53 (695)	3/16"-1/4" [5-6]	.025-.105 [.5-3]



NOTES:
1) SEE CURRENT PRICE SHEET FOR PART NUMBER SUFFIX DESIGNATION, FOR PACKAGE SIZE.

DIMENSIONS IN BRACKETS ARE METRIC [mm]	
CAD FILENAME/LAYERS G00239FF_DC_LWC100H25_04	
PANDUIT CORP. TINLEY PARK, ILLINOIS	
LWC100-H25, LATCHING WIRE CLIP	
UNLESS OTHERWISE SPECIFIED, DIMENSIONAL TOLERANCES ARE: (.X) ±0.05 (1.3) (.XXX) ±0.010 (0.25) (.XX) ±0.02 (0.5) ANGLES ± 5°	UNLESS OTHERWISE SPECIFIED, ALL DIMENSIONS ARE GIVEN IN INCHES. THIRD ANGLE PROJECTION.
DRAWN BY JOS MAT'L:	SCALE 1:1
DATE 8/07/97	NYLON 6/6
DR'D	DRAWING NO. G00239FF
	SIZE A

REV	DATE	BY	CHK	DESCRIPTION	ECN	R	CUST	SUP
4	12/15/04	JAD		UPDATE DIMENSIONS	G00239FF	4		
3	6/25/02	LGG		DIMENSION 1.885/47.9 WAS 1.902/48.3	G00239FF	3		
2	07-27-00	GDH		DIMENSION 1.902/[48.3] WAS: 1.890/[48.0]	G00239FF	2		
1	2-4-99	CGSM		CHANGED DIM. TO REF. DIM. UPDATED FILE NAME	G00239FF	1		
R	8/07/97			INITIAL RELEASE	G00239FF	R		